



TRUCK CHASSIS SPECIFICATIONS

(NV8J) SS-NV063A
GVW: 15,870 kg (35,000 lbs.)

All 2013 models require ultra-low sulfur diesel fuel

DIMENSIONS (On standard specifications)

MODEL		NV8JLSA	NV8JMSA	NV8JP5A	NV8JR5A	NV8JT5A	NV8JV5A
Wheelbase	A mm(in.)	4,750 (187.0)	5,207 (205.0)	5,512(217.0)	5,969(235.0)	6,426 (253.0)	6,883 (271.0)
Overall length	B mm(in.)	7,686 (302.6)	8,143 (320.6)	9,007(354.6)	9,464(372.6)	9,921 (390.6)	9,921 (390.6)
Overall width	C mm(in.)	2,430 (95.7)	2,430 (95.7)	2,430 (95.7)	2,430 (95.7)	2,430 (95.7)	2,430 (95.7)
Overall height	D mm(in.)	2,695 (106.1)	2,695 (106.1)	2,695(106.1)	2,695(106.1)	2,695 (106.1)	2,695 (106.1)
Cab to axle	E mm(in.)	3,038 (119.6)	3,495 (137.6)	3,800(149.6)	4,257(167.6)	4,714 (185.6)	5,171 (203.6)
Rear overhang	F mm(in.)	1,905 (75.0)	1,905 (75.0)	2,464 (97.0)	2,464 (97.0)	2,464 (97.0)	2,007 (79.0)
Frame height at							
Front axle	G mm(in.)	925 (36.4)	925 (36.4)	925 (36.4)	925 (36.4)	925 (36.4)	925 (36.4)
Rear axle	H mm(in.)	985 (38.8)	985 (38.8)	985 (38.8)	985 (38.8)	985 (38.8)	985 (38.8)
Road clearance							
(at front axle)	J mm(in.)	285 (11.2)	285 (11.2)	285 (11.2)	285 (11.2)	285 (11.2)	285 (11.2)
Tread							
Front	K mm(in.)	2,015 (79.3)	2,015 (79.3)	2,015 (79.3)	2,015 (79.3)	2,015 (79.3)	2,015 (79.3)
Rear	L mm(in.)	1,835 (72.2)	1,835 (72.2)	1,835 (72.2)	1,835 (72.2)	1,835 (72.2)	1,835 (72.2)
Turning radius							
Tire	mm(in.)	7,750 (305.1)	8,420 (331.5)	8,870(349.2)	9,540(375.6)	10,210 (402.0)	10,880 (428.3)
Swept	mm(in.)	8,270 (325.6)	8,940 (352.0)	9,390(369.7)	10,060(396.1)	10,730 (422.4)	11,400 (448.8)

CHASSIS WEIGHTS

AT Total weight	kg(lb.)	5,005 (11,030)	5,085 (11,210)	5,125 (11,300)	5,160 (11,380)	5,180 (11,420)	5,205 (11,470)
Front axle	kg(lb.)	3,035 (6,685)	3,105 (6,845)	3,110 (6,860)	3,155 (6,960)	3,190 (7,035)	3,240 (7,140)
Rear axle	kg(lb.)	1,970 (4,345)	1,980 (4,365)	2,015 (4,440)	2,005 (4,420)	1,990 (4,385)	1,965 (4,330)

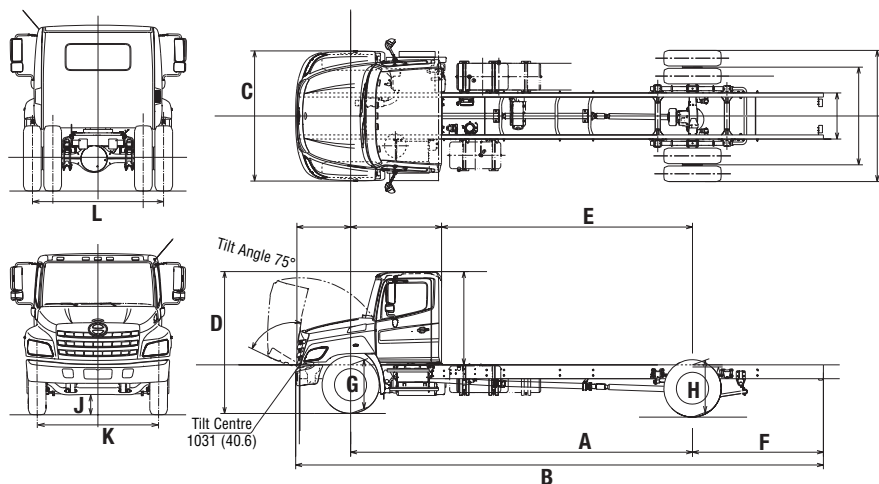
POWER LINE & PERFORMANCE

[15,870 kg (35,000 lbs.) GVW & 11R22.5 tires]

Power line	
Max. speed	km/h 119
Gradeability (tan.θ) %	53.8
Transmission Model	Allison 3000RDS
Type	Six-speed automatic
1st.	3.487
2nd.	1.864
3rd.	1.409
Ratios	4th. 1.000
5th.	0.750
6th.	0.650
Rev.	5.027
Rear axle gear ratios	5.630
Tire is combined with ratio	11R22.5

ENGINE

Model	HINO J08E-VB
Type:	Diesel, 6 cylinder, in-line, water-cooled
Combustion system:	Direct injection type
Max. output:	260HP at 2,500 rpm
Max. torque: (SAE Gross)	895 N•m (660 lb.-ft.) at 1,500 rpm
Bore and stroke:	112 x 130 mm (4.41 x 5.12 in.)
Piston displacement	7.684 L (468.8 cu.in.)
Fuel injection system:	Common rail ND
Governor:	Electronically controlled
Intake system:	Turbocharged and intercooled
Air cleaner:	Paper filter type ("DONALDSON")
Pre-heater:	Glow heater plug type
Fan clutch:	Bimetal thermostat sensor regulates fan speed
Block heater:	1,000 watts/120V immersion type



THE QUALITY CHOICE.

www.hinocanada.com

WEIGHT CAPACITIES

Front axle	kg (lbs.) 6,350 (14,000)
Rear axle	kg (lbs.) 10,455 (23,000)
Front spring	kg (lbs.) 6,350 (14,000)
Rear spring	kg (lbs.) 10,455 (23,000)

LIQUID CAPACITIES

Fuel tank ltr.(gal./US)	196.8 (52), aluminum, X 2
Cooling system	23.5 (6.21)
ltr.(gal./US)	: ALLISON 3000RDS
Diesel Exhaust Fluid, ltr. (gal.US)	19 (5.02)

AXLE / SUSPENSION

Front axle	MFS-14 series reversed Elliot, "I" beam; Oil-lubricated front wheel bearings
Front spring	Taper-leaf springs w/ shock absorbers
Rear axle	RS23-160 series Full-floating, single reduction Single-speed hypoid gears, oil lubricated type
Rear spring	Semi-elliptic main leaf
Option:	2 air bag suspension with shock absorbers and dump valve

FRAME

Ladder type	Straight] section
Width mm(in.)	866.8 (34.1)
Tensile strength kg/mm ² (lb/in) ²	87.8 (120,488)
Resisting bending moment (one side)	2,317,900 (1,933,200)
kg•mm (in•lbs.)	no reinforcement

STEERING

Type	Tilt and telescopic steering column with lock Recirculating ball, with hydraulic booster integral type
------	---

WHEELS / TIRES

6 Wheels	22.5X8.25 10-stud disc.
6 Tires	Front: 11R22.5(H) Rear: 11R22.5(G)
Brand & Pattern	Bridgestone Fr: RIB, Rr: LUG

BRAKES

Service brake	Full air, dual circuit, "S" cam type, leading & trailing shoes, with automatic adjustment
Drum diameter	Front;
x lining width	381 x 101.6 x 18.5
x thickness	(15 x 4 x 0.73)
mm(in.)	Rear;
	419.1 x 177.8 x 21.6 (16.5 x 7 x 0.85)
Control	Full air dual circuit with Antilock Brake System (ABS)
Parking brake	Spring brake acting on rear wheels
Air dryer for air tank	Equipped with heater (Bendix)
Exhaust brake	Electric-pneumatic with valve in exhaust pipe

CAB EQUIPMENT

Cab construction	- All steel, welded
Seating	- Three
Driver's seat	- Adjustable reclining, covered with fabric with air suspension and armrest
Passenger's seat	- Bench type, covered with fabric
Seat belts	- 3-point type (driver and passenger), one 2-point type (center)
Heater/Defroster	-18,357 BTU/h (4,627 Kcal/h)
Power mirrors, outside rearview	chrome, 1 flat, heated and 1 convex on each side
Sun visors	- 2
Over-head console	- 2
Air conditioning	
Windshield	- Laminated
Windshield wipers	- Dual electric, 2-speed and intermittent
Cup holder	
Electric power windows	
Electronic cruise control	
Cigarette lighter / 12V power outlet	
Power door locks, keyless entry	

DASH INSTRUMENTATION

Meters and gauges, metric system	
Speedometer- km/h (mph)	
Odometer (km/h)	
Fuel gauge	
Diesel exhaust fluid gauge	
Coolant temperature gauge	
Engine tachometer	
Warning and pilot lamps and buzzers	
Oil pressure warning lamp and buzzer	
Brake pressure warning lamp and buzzer	
Coolant level warning lamp and buzzer	
Battery charging warning lamp	
High beam indicator lamp	
Turn signal pilot lamp	
Parking brake warning lamp	
Engine control system warning lamp	
ABS warning lamp	
Glow plug pre-heater indicator lamp	
DEF level indicator	

ELECTRICAL EQUIPMENT

Batteries	2, parallel connection, each 12 V
Capacity	1400 CCA
Alternator	135 A brushless
Starter	12 V, 4.8 kW
Audio system	AM/FM radio with CD, DVD, GPS & Bluetooth®
Headlamps	2, composite type
Identification lamps (front)	LED type
Stop/Tail lamps	
Back-up lamps	
Turn signals and hazard warning lamps	
Dome lamps	
Front side marker lamps	
Clearance lamps (front)	LED type
Air horn and dual electric horns	

CHASSIS EQUIPMENT

Fuel pre-filter - Pre-filter (dust) and sedimenter (water) with heater	- DAVCO
Reflectors	- 2 rear, 2 front side
Hook	- One at front
Chrome bumper	
Chrome grille	

See your authorized Hino Dealer for a complete list of options and accessories.

NOTE : All specifications of the products are with normal manufacturing allowances and tolerances.
HINO MOTORS CANADA, LTD. reserves the right to alter specifications at any time without previous notice.